

Neat Sizes

Depth 90 cm
Depth 35 3/8"

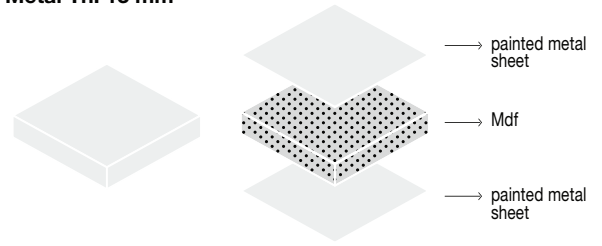
90	160 cm 63"	→ Metal → Wood
	180 cm 70 7/8"	→ Metal → Wood
	200 cm 78 6/8"	→ Metal → Wood
	220 cm 86 5/8"	→ Metal → Wood
	240 cm 94 4/8"	→ Metal → Wood

Depth 100 cm
Depth 39 3/8"

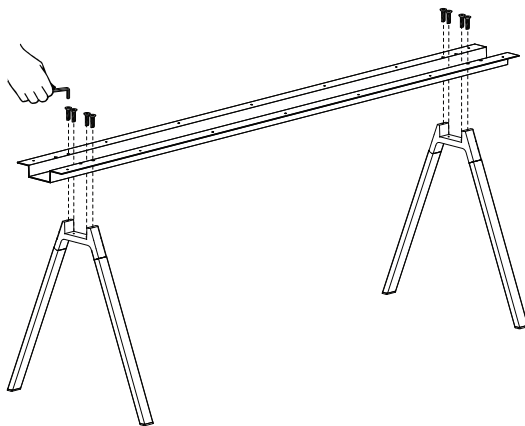
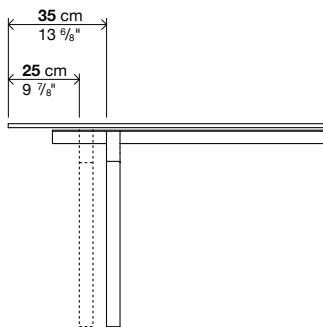
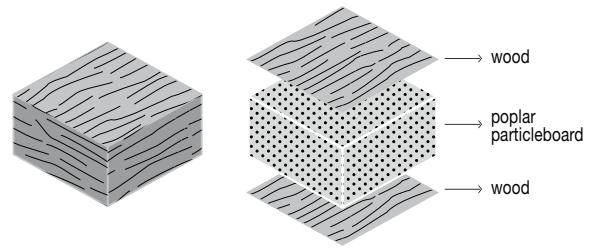
100	200 cm 78 6/8"	→ Metal → Wood
	220 cm 86 5/8"	→ Metal → Wood
	240 cm 94 4/8"	→ Metal → Wood
	260 cm 102 3/8"	→ Metal → Wood
	280 cm 110 2/8"	→ Metal → Wood

Tops

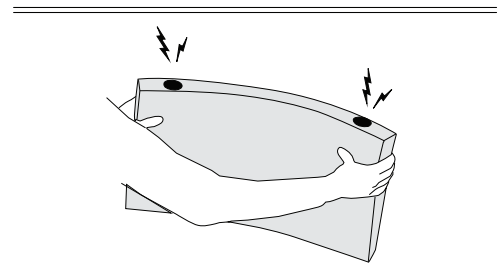
Metal Th. 13 mm



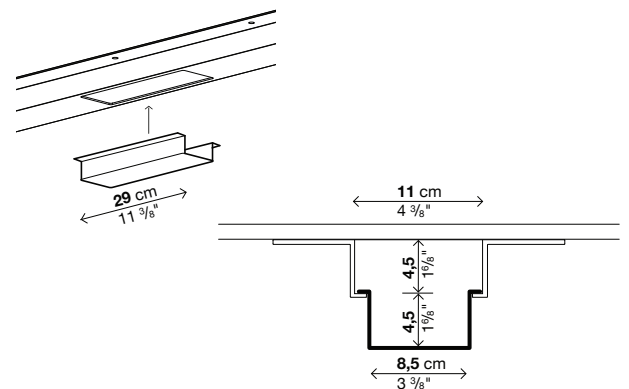
Wood Th. 35 mm



When assembling, you can choose whether to position the legs in a recessed position in relation to the edge of the table (25 or 35cm).



The magnetic screens can only be installed on the Neat table with metal top.



Under-top tray in transparent methacrylate. It slots into the openings of the central drawn element of the structure and houses electric gang-sockets.