

PRODUCT DATA SHEET

Logico sospensione nano 5 in linea



DESIGN BY :

GerhardReichert,MicheleDe Lucchi
2006

MATERIALS :

Painted metal, blown glass

DESCRIPTION :

Suspension lamp composed by 5 elements on line. Painted metal structure, blown glass diffuser with polished-silk finish.

Its modular shape lends itself to the creation and realisation of customized compositions, supplied as special project.

Light emission

● Diffused And Direct

IP 20     

+  -

TECHNICAL DATA SHEET

FEATURES

Product name:	Logico sospensione nano 5 in linea
Article Code:	0460020A
Colour:	White
Material:	Painted metal, blown glass
Series:	Design
Environment:	Indoor
Area contract:	Hospitality Hotel,Hospitality Restaurant,Office

OPTICS

Emission:	Diffused And Direct
-----------	---------------------

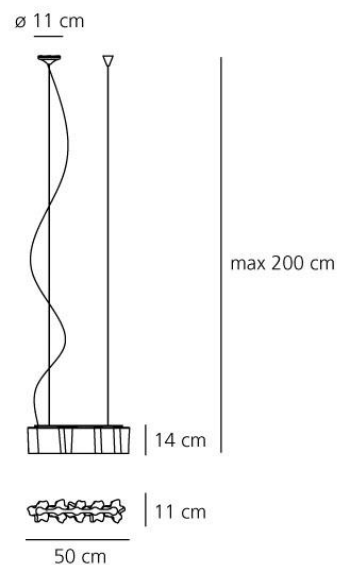
DIMENSIONS

Length:	cm 50
Width:	cm 11
Height:	cm 14
Base Diameter:	cm 11
Max Height from ceiling:	cm 200
Cutout shape:	

LAMPS NOT INCLUDED

Category:	HALO
Number:	5
Lbs:	Qt26
Watt:	42
Socket:	E14
Type:	N/s
Colour Rendering:	1a
Colour temperature (K):	N/s

DIMENSIONS



LAMP

IP 20     

+  -

LUMINAIR

Voltage:

220V-240V