

PRODUCT DATA SHEET

Logico sospensione mini 3 in linea



DESIGN BY :

GerhardReichert,MicheleDe Lucchi
2009

MATERIALS :

Painted metal, blown glass

DESCRIPTION :

Suspension lamp composed by 3 elements on line. Painted metal structure, blown glass with polished-silk finish.

Available in four sizes and in four configurations: single, on line, 3x120° and 4x90°. Its modular shape lends itself to the creation and realisation of customized compositions, supplied as special project. Logico nano track is available with track adapter.

Light emission

 Diffused And Direct



TECHNICAL DATA SHEET

FEATURES

Product name:	Logico sospensione mini 3 in linea
Article Code:	0697020A
Colour:	White
Material:	Painted metal, blown glass
Series:	Design
Environment:	Indoor
Area contract:	Hospitality Hotel,Hospitality Restaurant,Office

OPTICS

Emission: Diffused And Direct

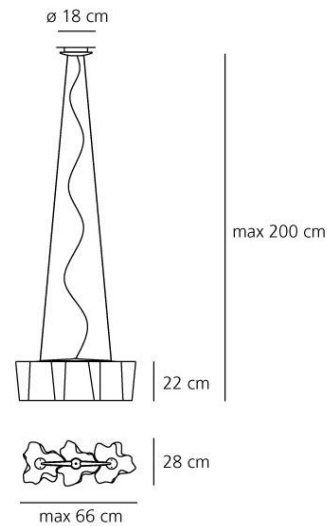
DIMENSIONS

Length:	cm 66
Width:	cm 28
Height:	cm 22
Base Diameter:	cm 18
Max Height from ceiling:	cm 200
Cutout shape:	

LAMPS NOT INCLUDED

Category:	HALO
Number:	3
Lbs:	Qa60
Watt:	70 W
Socket:	E27
Type:	Hsgsa/c/ub
Luminous Flux (lm):	1180 lm
Colour Rendering:	1a
Colour temperature (K):	2900 K
Duration (h):	2000

DIMENSIONS



LAMP



LUMINAIR

Voltage: 220V-240V