

## PRODUCT DATA SHEET

### Logico sospensione micro 3 in linea



#### DESIGN BY :

GerhardReichert,MicheleDe Lucchi  
2006

#### MATERIALS :


Painted metal, blown glass

#### DESCRIPTION :

Suspension lamp composed by 3 elements on line. Painted metal structure, blown glass diffuser with polished-silk finish.

Available in four sizes and in four configurations: single, on line, 3x120° and 4x90°. Its modular shape lends itself to the creation and realisation of customized compositions, supplied as special project. Logico nano track is available with track adapter.

#### Light emission

 Diffused And Direct



### TECHNICAL DATA SHEET

#### FEATURES

Product name:	Logico sospensione micro 3 in linea
Article Code:	<b>0650020A</b>
Colour:	White
Material:	Painted metal, blown glass
Series:	Design
Environment:	Indoor
Area contract:	Hospitality Hotel,Hospitality Restaurant,Office

#### OPTICS

Emission:	Diffused And Direct
-----------	---------------------

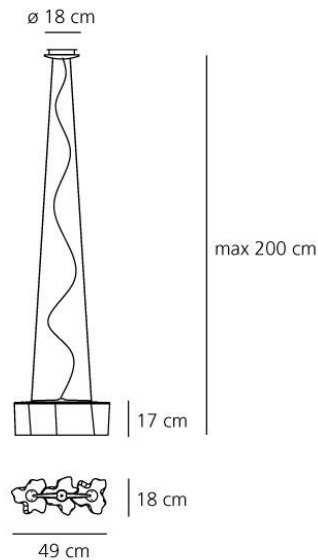
#### DIMENSIONS

Length:	cm 49
Width:	cm 18
Height:	cm 17
Base Diameter:	cm 18
Max Height from ceiling:	cm 200
Cutout shape:	

#### LAMPS NOT INCLUDED

Category:	HALO
Number:	3
Lbs:	Qt26
Watt:	42
Socket:	E14
Type:	N/s
Colour Rendering:	1a
Colour temperature (K):	N/s

#### DIMENSIONS



#### LAMP



#### LUMINAIR

Voltage: 220V-240V