

PRODUCT DATA SHEET

Choose Mega terra - Fluo Red

**DESIGN BY :**

Matteo Thun
2006

MATERIALS :

Metal, zamac, thermoformed material, silkscreened polypropylene

DESCRIPTION :

Base in zamac, painted metal structure, adjustable diffuser in thermoformed material joined with parchment paper.

Light emission

Diffused And Direct

IP 20    

TECHNICAL DATA SHEET

FEATURES

Product name:	Choose Mega terra - Fluo Red
Article Code:	1134040A
Colour:	Grey / Red
Material:	Metal, zamac, thermoformed material, silkscreened polypropylene
Series:	Design
Environment:	Indoor
Area contract:	Hospitality Hotel, Private Residence

OPTICS

Emission:	Diffused And Direct
-----------	---------------------

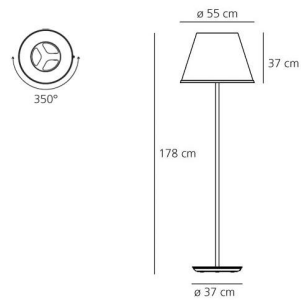
DIMENSIONS

Height:	cm 178
Cutout width:	cm 55
Base Diameter:	cm 37
Cutout shape:	

LAMPS NOT INCLUDED

Category:	FLUO
Number:	3
Lbs:	Tc-tel
Watt:	18 W
Socket:	Gx24q-2
Type:	Fsmh
Luminous Flux (lm):	1200 lm
Colour Rendering:	1b
Colour temperature (K):	3000 K
Duration (h):	10000

Category:	HALO
Number:	1
Lbs:	R80
Watt:	100
Socket:	E27
Type:	Irr
Colour Rendering:	1a
Colour temperature (K):	N/s

DIMENSIONS**LAMP**

IP 20    

LUMINAIR

Voltage: 220V-240V