

## PRODUCT DATA SHEET

### Choose Mega terra - Fluo Parchment

**DESIGN BY :**

Matteo Thun  
2006

**MATERIALS :**

Metal, zamac, thermoformed material, parchment paper

**DESCRIPTION :**

Base in zamac, painted metal structure, adjustable diffuser in thermoformed material joined with parchment paper.

**Light emission**

Diffused And Direct

IP 20    

### TECHNICAL DATA SHEET

**FEATURES**

Product name:	Choose Mega terra - Fluo Parchment
Article Code:	<b>1134020A</b>
Colour:	Grey / Natural
Material:	Metal, zamac, thermoformed material, parchment paper
Series:	Design
Environment:	Indoor
Area contract:	Hospitality Hotel, Private Residence

**OPTICS**

Emission:	Diffused And Direct
-----------	---------------------

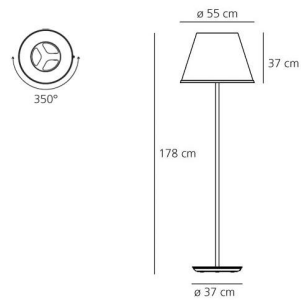
**DIMENSIONS**

Height:	cm 178
Cutout width:	cm 55
Base Diameter:	cm 37
Cutout shape:	

**LAMPS NOT INCLUDED**

Category:	FLUO
Number:	3
Lbs:	Tc-tel
Watt:	18 W
Socket:	Gx24q-2
Type:	Fsmh
Luminous Flux (lm):	1200 lm
Colour Rendering:	1b
Colour temperature (K):	3000 K
Duration (h):	10000

Category:	HALO
Number:	1
Lbs:	R80
Watt:	100
Socket:	E27
Type:	Irr
Colour Rendering:	1a
Colour temperature (K):	N/s

**DIMENSIONS****LAMP**

IP 20    

**LUMINAIR**

Starter:	Electronic Integrated
Voltage:	220V-240V