

PRODUCT DATA SHEET

Choose Mega terra - Halo Parchment

**DESIGN BY :**

MatteoThun
2006

MATERIALS :


Metal, zamac, thermoformed material, parchment paper

DESCRIPTION :

Base in zamac, painted metal structure, adjustable diffuser in thermoformed material joined with parchment paper.

Light emission

Diffused And Direct

IP 20    
Dimmer

TECHNICAL DATA SHEET

FEATURES

Product name: Choose Mega terra - Halo Parchment
Article Code: 1135020A
Colour: Grey / Natural
Material: Metal, zamac, thermoformed material, parchment paper
Series: Design
Environment: Indoor
Area contract: Hospitality Hotel, Private Residence

OPTICS

Emission: Diffused And Direct

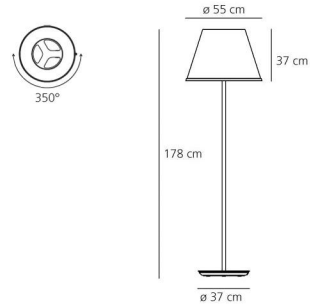
DIMENSIONS

Height: cm 178
Cutout width: cm 55
Base Diameter: cm 37
Cutout shape:

LAMPS NOT INCLUDED

Category: HALO
Number: 3
Lbs: Qa60
Watt: 70 W
Socket: E27
Type: Hsgsa/c/ub
Luminous Flux (lm): 1180 lm
Colour Rendering: 1a
Colour temperature (K): 2900 K
Duration (h): 2000

Category: HALO
Number: 1
Lbs: R80
Watt: 100
Socket: E27
Type: Irr
Colour Rendering: 1a
Colour temperature (K): N/s

DIMENSIONS**LAMP**

IP 20    

Dimmer

LUMINAIR

Voltage: 220V-240V