

## PRODUCT DATA SHEET

### Mercury mini Led sospensione - Inox



#### DESIGN BY :

RossLovegrove  
2012

#### MATERIALS :

Painted steel, stainless steel, chrome aluminium, thermoplastic material

#### DESCRIPTION :

Range extension of Mercury series, in smaller dimension. "A ceiling fixture that places a floating assembly of large pebbles below a simple modern disc. These in turn reflect each other bouncing light between their taught bio - morphic surfaces and reflecting the environment around them. During the day the piece acts as a sculptural object reflecting the dynamics of natural light and the movement of people around them." Materials: structure in brushed stainless steel and painted aluminium. Light fixtures in chromed aluminium. Hanging in chromed plastic.

#### Light emission



Indirect



### TECHNICAL DATA SHEET

#### FEATURES

<b>Product name:</b>	Mercury mini Led sospensione - Inox
<b>Article Code:</b>	1477010A
<b>Colour:</b>	Metal grey / mirror
<b>Material:</b>	Painted steel, stainless steel, chrome aluminium, thermoplastic material
<b>Series:</b>	Design,Hydro
<b>Environment:</b>	Indoor
<b>Area contract:</b>	Hospitality Hotel,Office,Private Residence

#### OPTICS

<b>Emission:</b>	Indirect
------------------	----------

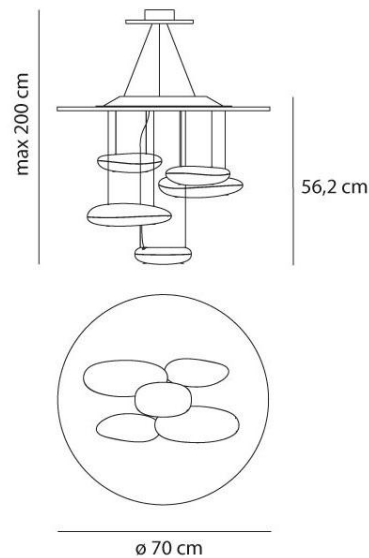
#### DIMENSIONS

<b>Height:</b>	cm 56.2
<b>Cutout width:</b>	cm 72
<b>Max Height from ceiling:</b>	cm 200
<b>Cutout shape:</b>	

#### LAMPS INCLUDED

<b>Category:</b>	LED
<b>Watt:</b>	36
<b>Luminous Flux (lm):</b>	2100
<b>Typology:</b>	1
<b>Color Rendering:</b>	Bianco
<b>Color temperature (K):</b>	3000
<b>Class:</b>	A

#### DIMENSIONS



#### LAMP

