

PRODUCT DATA SHEET

Mercury Led sospensione - Inox



DESIGN BY :

RossLovegrove
2007

MATERIALS :

Painted steel, stainless steel, chrome aluminium, thermoplastic material

DESCRIPTION :

A ceiling fixture that places a floating assembly of large pebbles below a simple modern aluminium disc. These in turn reflect each other bouncing light between their taught bio - morphic surfaces and reflecting the environment around them. During the day the piece acts as a sculptural object reflecting the dynamics of natural light and the movement of people around them. Die-cast aluminium lighting units; reflective units made of injection-moulded thermoplastic material with metallic finish; stainless steel reflector.

Its modular shape lends itself to the creation and realisation of customized compositions, supplied as special project.

Light emission



Indirect



TECHNICAL DATA SHEET

FEATURES

Product name:	Mercury Led sospensione - Inox
Article Code:	1367010A
Colour:	Metal grey / mirror
Material:	Painted steel, stainless steel, chrome aluminium, thermoplastic material
Series:	Design,Hydro
Environment:	Indoor
Area contract:	Hospitality Hotel,Office,Private Residence

OPTICS

Emission:	Indirect
-----------	----------

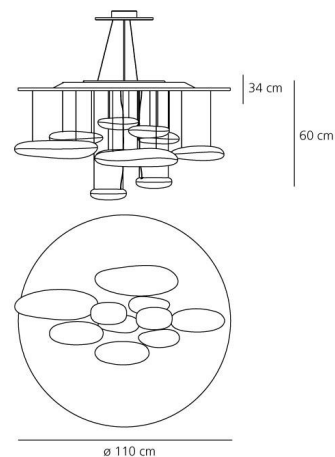
DIMENSIONS

Height:	cm 55
Cutout width:	cm 110
Max Height from ceiling:	cm 200
Cutout shape:	

LAMPS INCLUDED

Category:	LED
Watt:	36
Luminous Flux (lm):	2100
Typology:	1
Color Rendering:	Bianco
Color temperature (K):	3000
Class:	A

DIMENSIONS



LAMP

