

## PRODUCT DATA SHEET

### Altrove MWL sospensione - Direct/indirect Light

MYWHITELIGHT®



#### DESIGN BY :

Carlottade Bevilacqua  
2008

#### MATERIALS :

Steel, Prismoptic, aluminium, methacrylate, PETG

#### DESCRIPTION :

In a m<sup>2</sup> of surface where the light flows in a fluid way on transparent wires and, through a mirrored reflector, materializes a lighting and volumetric effect wich is controlled. It is a cubic metre of light where everything is endlessly reflected, freely modulating more than a million of chromatic effects. The space is no more just one, but several, or simply "else", illusory perception of reality, which drives to a new place, elsewhere. Three versions are available, with three kind of light. Opening light: perimeter structure made of steel, top side mirror reflector, side diffusers made of opaline methacrylate, front diffuser in transparent engraved methacrylate. Volumetric light: perimeter structure made of steel, top side segment reflector, side diffusers made of opaline methacrylate, front diffuser in transparent engraved methacrylate. Fluid light: perimeter structure made of steel, side diffusers made of opaline methacrylate, front diffuser in transparent engraved methacrylate.

RF remote control included.

#### Light emission



Direct

IP 20    



### TECHNICAL DATA SHEET

#### FEATURES

Product name:	Altrove MWL sospensione - Direct/indirect Light
Article Code:	1340050A + 1339010A
Colour:	Mirror
Material:	Steel, Prismoptic, aluminium, methacrylate, PETG
Series:	Design, My White Light
Environment:	Indoor

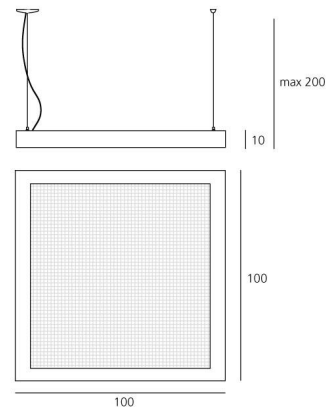
#### OPTICS

Emission:	Direct
-----------	--------

#### DIMENSIONS

Length:	cm 100
Width:	cm 100
Height:	cm 10
Max Height from ceiling:	cm 200
Cutout shape:	

#### DIMENSIONS



#### LAMP

IP 20    



#### LUMINAIR

Voltage:	220V-240V
Remote control:	RF remote control