

PRODUCT DATA SHEET

Droplet sospensione

**DESIGN BY :**

RossLovegrove
2007

MATERIALS :

Die-cast aluminium

DESCRIPTION :

Lamp available in suspension and ceiling versions. "Droplet is a ceiling light that appears as a pool of liquid aluminium reflecting two light pebbles. It has been generated totally by digital means and freezes in time the act of ripples that cross each other to define reflective zones and acting as a form of liquid dichroic." Materials: die-cast aluminium lighting units; die-cast aluminium reflector.

Light emission

Indirect



TECHNICAL DATA SHEET

FEATURES

| | |
|---------------|-----------------------------|
| Product name: | Droplet sospensione |
| Article Code: | 1399010A |
| Colour: | Polished chrome / Aluminium |
| Material: | Die-cast aluminium |
| Series: | Design,Hydro |
| Environment: | Indoor |

OPTICS

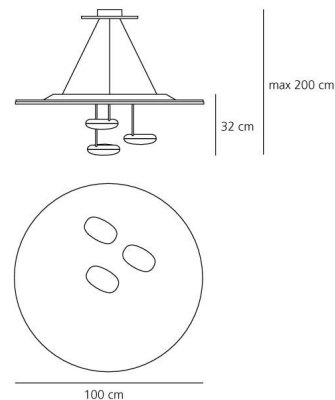
| | |
|-----------|----------|
| Emission: | Indirect |
|-----------|----------|

DIMENSIONS

| | |
|--------------------------|--------|
| Height: | cm 50 |
| Cutout width: | cm 110 |
| Max Height from ceiling: | cm 200 |
| Cutout shape: | |

LAMPS INCLUDED

| | |
|-------------------------|---------|
| Category: | HALO |
| Number: | 1 |
| Lbs: | Qt-de12 |
| Watt: | 160 |
| Socket: | R7s |
| Type: | Hdg |
| Luminous Flux (lm): | 3300 |
| Colour Rendering: | 1a |
| Colour temperature (K): | 2950 |
| Duration (h): | 2000 |

DIMENSIONS**LAMP****LUMINAIR**

| | |
|----------|-----------|
| Voltage: | 220V-240V |
|----------|-----------|