

## PRODUCT DATA SHEET

### Choose Mega sospensione - Halo Red



#### DESIGN BY :

Matteo Thun  
2008

#### MATERIALS :

Thermoformed material, silkscreened polypropylene

#### DESCRIPTION :

Extending the range of the Choose collection. It is a lighting fixture with a transparent antistatic polycarbonate diffuser embellished with vertical internal slits, which allows a better light diffusion. The diffuser is covered by red silkscreened polypropylene sheet. Extremely versatile it integrates and disappears in the space.

With electronic ballast.

#### Light emission



Diffused And Direct



### TECHNICAL DATA SHEET

#### FEATURES

Product name:	Choose Mega sospensione - Halo Red
Article Code:	1125040A
Colour:	Transparent / Natural
Material:	Thermoformed material, silkscreened polypropylene
Series:	Design
Environment:	Indoor
Area contract:	Hospitality Hotel

#### OPTICS

Emission:	Diffused And Direct
-----------	---------------------

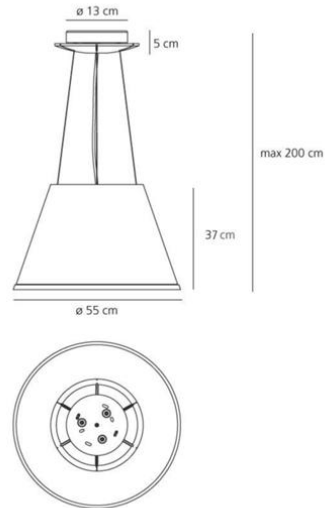
#### DIMENSIONS

Cutout width:	cm 55
Base Diameter:	cm 13
Max Height from ceiling:	cm 200
Cutout shape:	

#### LAMPS NOT INCLUDED

Category:	FLUO
Number:	3
Lbs:	Tc-tel
Watt:	18 W
Socket:	Gx24q-2
Type:	Fsmh
Luminous Flux (lm):	1200 lm
Colour Rendering:	1b
Colour temperature (K):	3000 K
Duration (h):	10000

#### DIMENSIONS



#### LAMP



#### LUMINAIR

Starter:	Electronic Integrated
Voltage:	220V-240V